

VANJAX

ISO 9001 : 2015 COMPANY

INDUSTRIAL HYDRAULICS - TOOLS - EQUIPMENT - DEVICES - MACHINES



Estd. 1981



VANGUARD

Advanced Protection Against Infection

Mission To Improve Quality Of Life

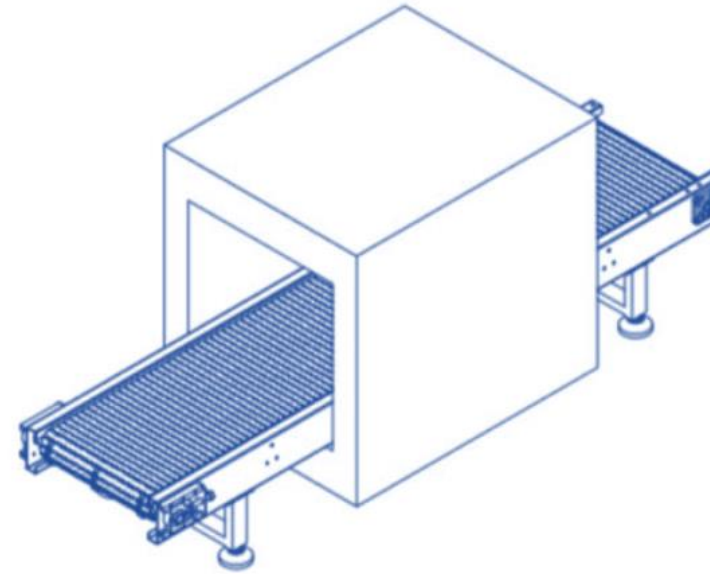
History stands as a testament to the fact that mankind has always been susceptible to infectious diseases caused by pathogens or 'germs', as they're commonly called.

Our vulnerabilities to these microscopic forces have proliferated exponentially, largely due to the impact of modern lifestyle. The fear induced by the COVID-19 pandemic has reintroduced us to the concept of hygiene in ways we had never anticipated.

As a consequence, we might all end up living healthier and safer. But, in a constant, never-ending fight against disease-causing bacteria and viruses, improving quality of life is the next step in the right direction.

VAN-GUARD

Intelligent Conveyor
Sterilization Machine



As countries slowly begin to come out of their respective lockdowns and begin to reopen for business and travel; **major airlines and airports** will turn to automated technologies. The intelligent conveyor sterilization machine will provide passengers with a **safe virus free experience**.

Features



Height of Equipment
can be adjusted



Equipment can be
Customized



Atomizing sprinkler
for 360° coverage



Easy access
Liquid Storage Tank



Made from
Stainless Steel



Adjustable
Sprinkler Flow



Corrosion Resistant
Magnetic Pump



Adjustable
Conveyor Speed



Low Level Sensor
for Liquid Storage Tank

Where can it
be used?



Airports



Seaports



Packing Depot



Malls



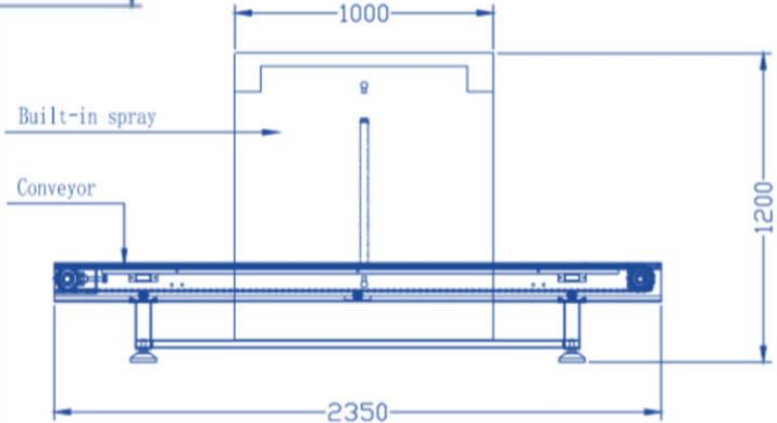
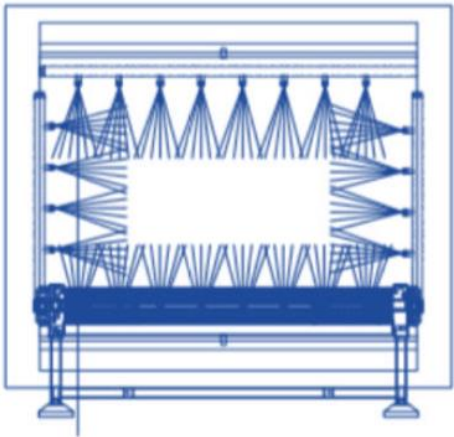
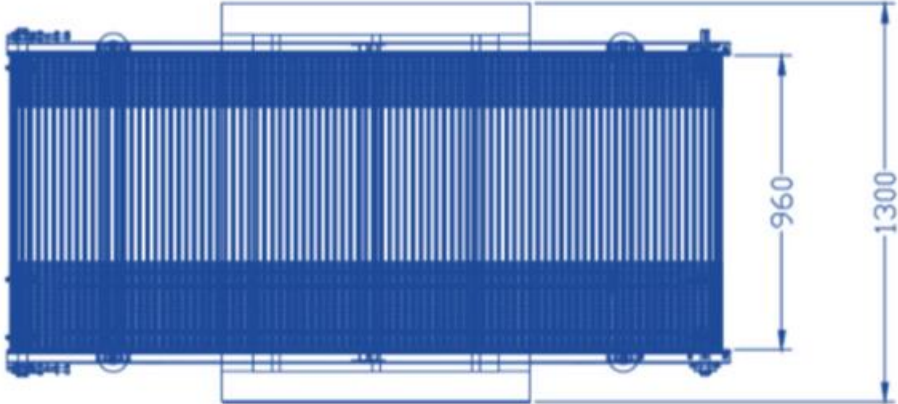
Hotels

VAN-GUARD

Intelligent Conveyor Sterilization Machine

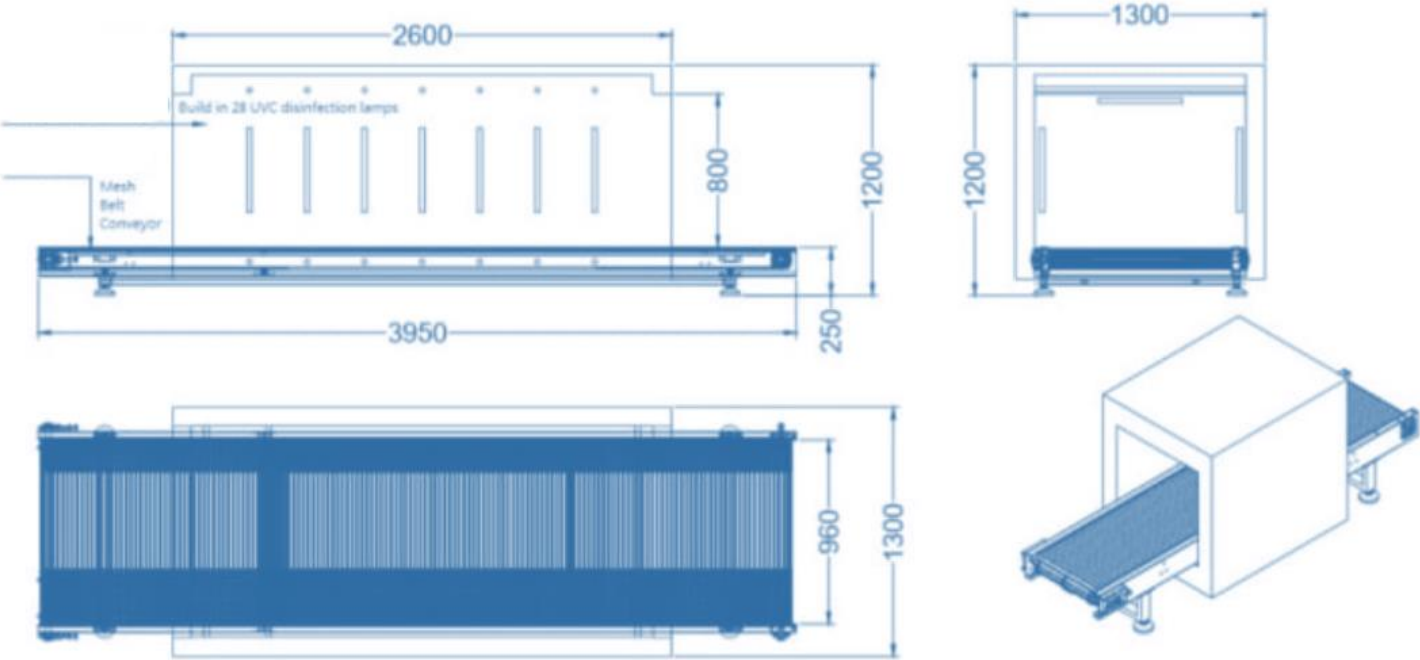
Product Details and Technical Specifications

Liquid Sprayer Model



Power	230 V
Liquid Storage Tank	Disinfectant
Conveying Speed	4 – 8 m/min (Adjustable)
Size of Luggage	Accommodates all sizes

Ultraviolet Light Model



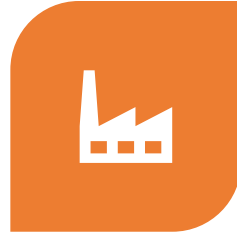
Material	Paint Baking Board & Pipe
Drive Motor	Domestic Reducer Motor
UVC Lamps	28
Lamp Power & Wavelength	25W and 254mm

Power	230 V
Sterilization Time	15 sec @ 10m/min 30 sec @ 5m/min
Conveying Speed	4 – 10 m/min (Adjustable)
Size of Luggage	Accommodates all sizes

Appendix

Company Details

About Us



TOP MANUFACTURERS OF
INDUSTRIAL EQUIPMENT
FOR 30+ YEARS



AN ISO 9001:2015
CERTIFIED COMPANY



INHOUSE DESIGN FACILITY



TRUSTED VENDORS OF
LEADING COMPANIES
ACROSS INDUSTRIES



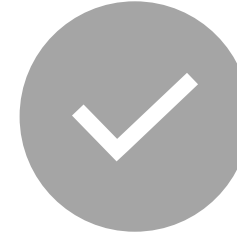
WIDE DOMESTIC
PRESENCE



LARGE MANUFACTURING
FACILITY



150+ EMPLOYEES



5 DESIGN STATIONS



30+ TRAINED SERVICE
TECHNICIANS

About Us



33 DEALERS ACROSS
INDIA



BRANCH OFFICES IN
DELHI, BANGALORE &
COIMBATORE

Some of Our Clients



AIR INDIA LIMITED



CHENNAI PORT TRUST



GODREJ & BOYCE MFG. COMPANY



HEAVY VEHICLES FACTORY



HINDUSTAN AERONAUTICS LTD



HYUNDAI MOTORS INDIA LTD



ASHOK LEYLAND LTD



CROMPTON GREAVES LTD



IGARASHI MOTORS INDIA LTD



INDIAN AIR FORCE



INDIAN RAILWAYS



ISRO



BAJAJ AUTO LIMITED



DAIMLER INDIA COMM. VEHICLES



JBM AUTO LIMITED



KOMATSU INDIA PVT. LTD



LARSEN & TOUBRO LIMITED



L G BALAKRISHAN & BROS. LTD



BANGALORE INTL. AIRPORT LTD



DELHI METRO



MADRAS RUBBER FACTORY LTD



MAHINDRA & MAHINDRA LIMITED



MARUTI SUZUKI INDIA LIMITED



NATIONAL ALUMINIUM COMPANY



BHARAT EARTH MOVERS LTD



DEPARTMENT OF ATOMIC ENERGY



N T P C LIMITED



OIL & NATURAL GAS COMPANY



RANE (MADRAS) LIMITED



RENAULT NISSAN AUTOMOTIVE INDIA



BHARAT HEAVY ELECTRICALS LTD



D G N P



A UNIT OF EICHER MOTORS LTD



SAME DEUTZ-FAHR INDIA PVT. LTD



SCHWING STETTER (INDIA) PVT. LTD



SAINT-GOBIN INDIA PVT. LTD



BOSCH INDIA LIMITED



DRDO / MINISTRY OF DEFENCE



SIEMENS LIMITED



S.M.A. KAPADIA & CO.



SONALIKA INTERNATIONAL TRACTORS



SUPER AUTO FORGE LIMITED



CATTERPILLAR INDIA PVT. LTD



EICHER MOTORS LIMITED



TAMIL NADU AGRICULT. UNIVERSITY



TAMIL NADU ELECTRICITY BOARD



TATA MOTORS LIMITED



TRACTORS INDIA LIMITED



CHENNAI CORPORATION



GAIL (INDIA) LIMITED



T V S GROUP COMPANIES



VISAKHAPATNAM STEEL PLANT



VOLVO INDIA PRIVATE LIMITED



ZAMIL STEEL ENG. INDIA PVT. LTD

Contact Us



www.vanjax.in



jfk@vanjax.com
abbas@vanjax.com



+91 9790910608
+91 9790905925





Thank You