



VANJAX UNIT -1 (VXC-1)

VANJAX

ISO 9001:2015 COMPANY



Estd. 1981

INDUSTRIAL HYDRAULICS - TOOLS - EQUIPMENT - DEVICES - MACHINES



VANJAX FACTORY UNIT -2 (VXC-2)

AERIAL WORK PLATFORM

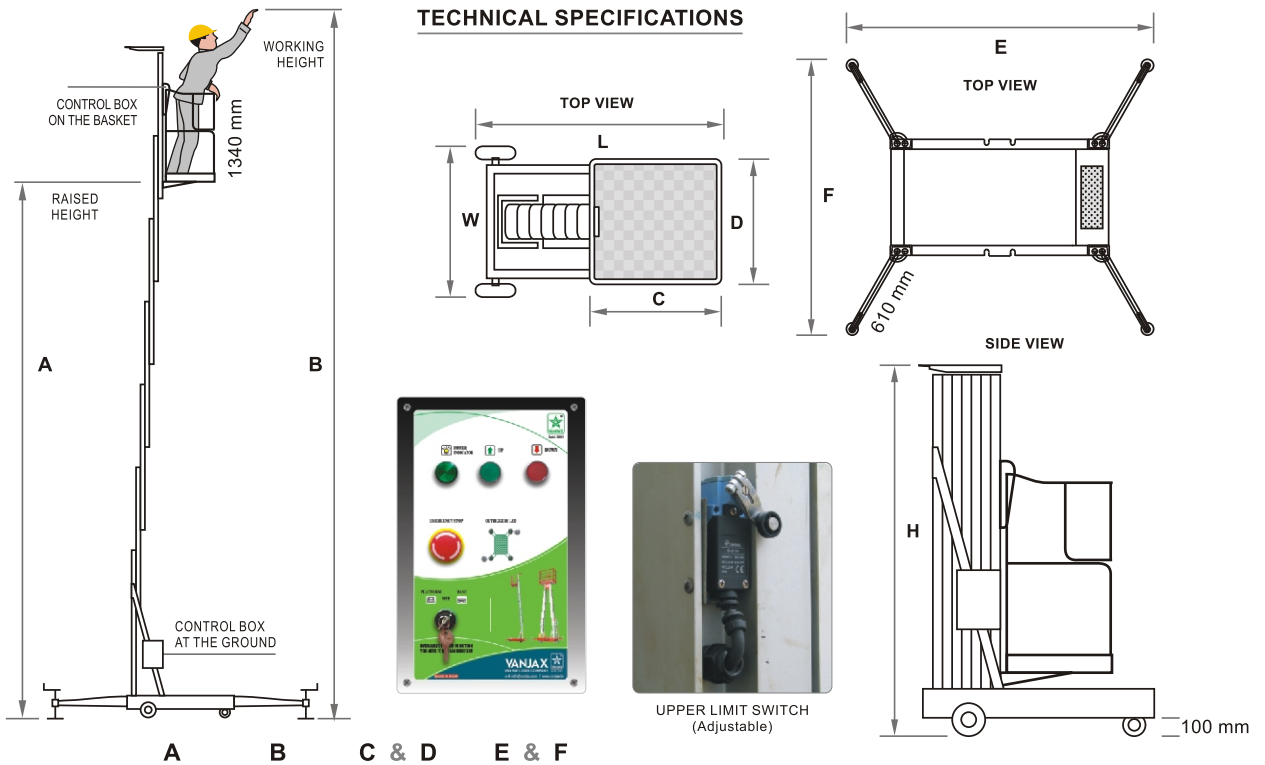
MADE IN INDIA



— HYDRAULIC POWER IN ACTION ★ YOU NEED IT, VANJAX MAKES IT. —



AERIAL WORK PLATFORM-SINGLE MAST



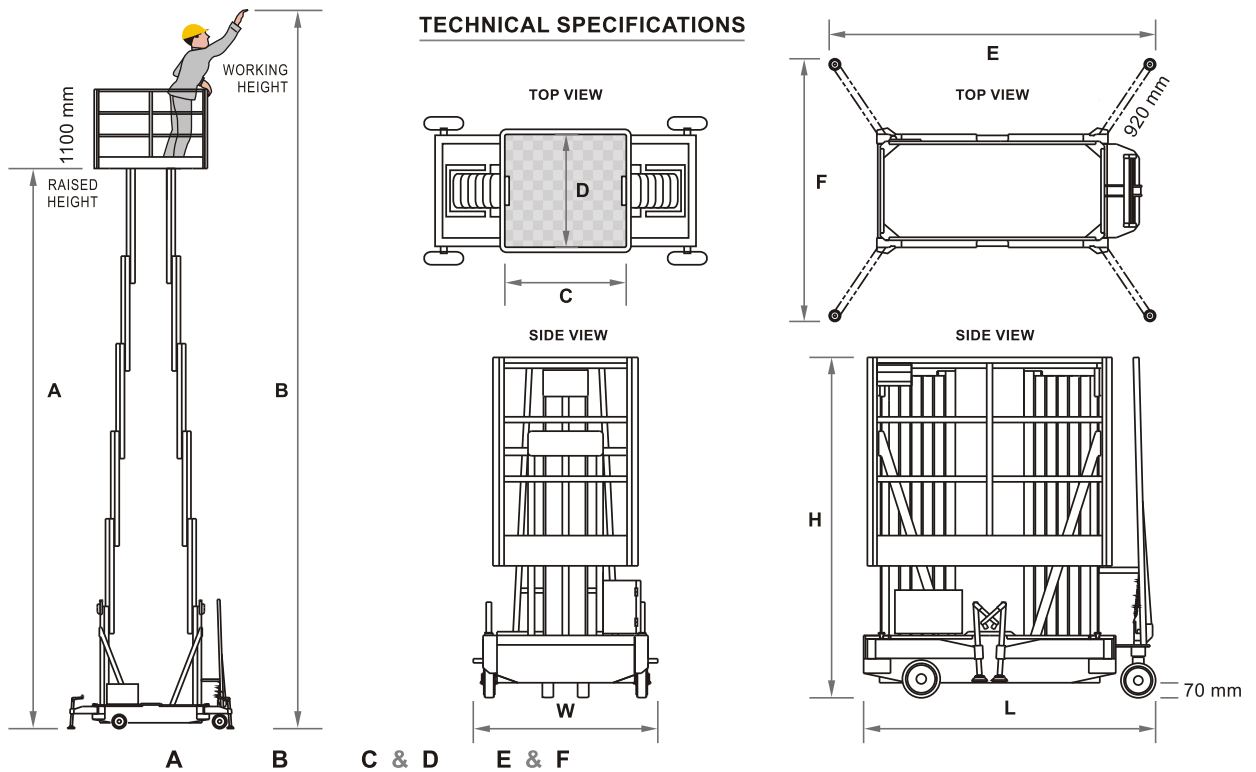
TYPE CODE	RATED CAPACITY (kgs.)	RAISED HEIGHT (mm)	WORKING HEIGHT (mm)	PLATFORM SIZE (mm)	OUTSPREAD SIZE (mm)	POWER SOURCE AC / DC	BATTERY / CHARGER	LIFTING MOTOR AC / DC	OVERALL DIMENSION L x W x H (mm)	WEIGHT AC / DC (approx.)
VXAWP-SM 150 / 8000	150	6000	8000	680 x 650	1960 x 1830	220-240 v / 12 v	2x12v / 80Ah 12 v / 1.5 kw	230v / 0.75kw 12 v / 1.5 kw	1420x820x1950	310 kgs. 350 kgs.
VXAWP-SM 125 / 10000	125	8000	10000	680 x 650	1960 x 1830	220-240 v / 12 v	2x12v / 80Ah 12 v / 1.5 kw	230v / 0.75kw 12 v / 1.5 kw	1420x820x1950	330 kgs. 370 kgs.
VXAWP-SM 125 / 12000	125	10000	12000	680 x 650	1960 x 1830	220-240 v / 12 v	2x12v / 80Ah 12 v / 1.5 kw	230v / 0.75kw 12 v / 1.5 kw	1420x820x1950	352 kgs. 392 kgs.

DESIGN / DIMENSIONS ARE SUBJECT TO CHANGE FOR SAKE OF IMPROVEMENT ; SHOULD NOT BE CONSIDERED AS STRICTLY BINDING.

DEALERSHIP / AGENT ENQUIRIES INVITED



AERIAL WORK PLATFORM - DUAL MAST



TYPE CODE	RATED CAPACITY (kgs.)	RAISED HEIGHT (mm)	WORKING HEIGHT (mm)	PLATFORM SIZE (mm)	OUTSPREAD SIZE (mm)	POWER SOURCE AC / DC	BATTERY / CHARGER	LIFTING MOTOR AC / DC	OVERALL DIMENSION L x W x H (mm)	WEIGHT AC / DC (approx.)
VXAWP-DM 300 / 8000	300	6000	8000	1450 x 600	2450 x 2450	220-240 v / 12 v	2x6v / 200Ah 12 v	220v / 1.5kw 12 v / 2.5 kw	1800x870x1870	500 kgs. 540 kgs.
VXAWP-DM 300 / 10000	300	8000	10000	1450 x 600	2450 x 2450	220-240 v / 12 v	2x6v / 200Ah 12 v	220v / 1.5kw 12 v / 2.5 kw	1800x870x1870	570 kgs. 610 kgs.
VXAWP-DM 250 / 12000	250	10000	12000	1450 x 600	2450 x 2450	220-240 v / 12 v	2x6v / 200Ah 12 v	220v / 1.5kw 12 v / 2.5 kw	1800x870x1870	728 kgs. 768 kgs.
VXAWP-DM 200 / 14000	200	12000	14000	1450 x 600	2450 x 2450	220-240 v / 12 v	2x6v / 200Ah 12 v	220v / 1.5kw 12 v / 2.5 kw	1800x870x2150	825 kgs. 865 kgs.
VXAWP-DM 200 / 16000	200	14000	16000	1450 x 600	2450 x 2450	220-240 v / 12 v	2x6v / 200Ah 12 v	220v / 1.5kw 12 v / 2.5 kw	1800x870x2400	870 kgs. 910 kgs.

DESIGN / DIMENSIONS ARE SUBJECT TO CHANGE FOR SAKE OF IMPROVEMENT ; SHOULD NOT BE CONSIDERED AS STRICTLY BINDING.



Aerial Work Platform-Single Mast



Aerial Work Platform-Dual Mast



Aerial Work Platform-Dual Mast- D/C



A W P-Single Mast- Vehicle Mounted

Technical Features

- ◆ Heavy duty aluminium mast.
- ◆ Power supply: Single phase A/C. / D/C.
- ◆ Equipped with emergency stop.
- ◆ Advanced electrical control panel.
- ◆ Provided with stabilizers and sprit level to level & stabilize the chassis.
- ◆ Provided with emergency release valve to lower the platform in case of Power / Hydraulic failure.
- ◆ High Quality power pack.
- ◆ Inter locking system.
- ◆ Hi-Tensile chain.
- ◆ Tilt alarm (Optional).
- ◆ F R P basket (Optional).



A W P-Dual Mast-D/C- Vehicle Mounted



HYDRAULIC POWER IN ACTION ★ YOU NEED IT, VANJAX MAKES IT.

VANJAX SALES PVT. LTD.,
an ISO 9001:2015 COMPANY

Phone:044-4282 1000
Fax: 0091-44-4598 5700

e-Mail : enquiry@vanjax.com / jfk@vanjax.com / cgm@vanjax.com / salesndl@vanjax.com / salesblr@vanjax.com
Mobile: Chennai:0 9790910608, 0 9444409601 / New Delhi:0 8800900425 / Bengaluru:0 9845533100 / Coimbatore:0 9043021991

website: www.vanjax.in / CIN:U51102TN1981PTC008688

MSME Reg. No.: 330011200282 / NSIC Reg. No.: NSIC(A)/GP/V-004/11/ SSI Reg. No.: 33 001 1 2 20517 PART-II SMALL

This photo literature is the sole property of VANJAX SALES (P) Ltd. Chennai. Issued for legitimate information purposes in connection with our business only. Entrusted to the recipient in good faith & trust as a confidential document protected by exclusive copyright as an intellectual property with sole proprietary rights vested in VANJAX SALES (P) Ltd. India.

